

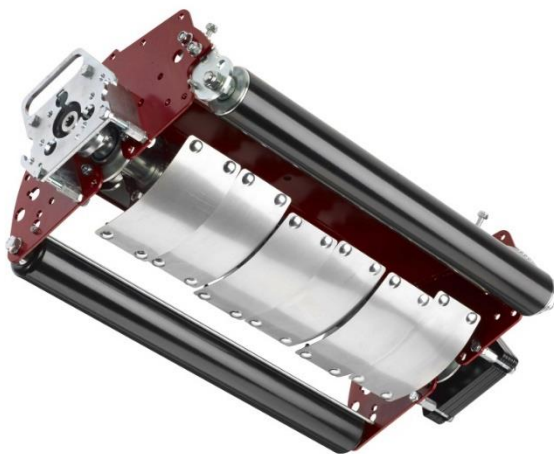
Manual Maredo® GT 300 REV 042 VibeShoe-Roller

SERIAL:

IMPORTANT NOTE:

The required (hydraulic) power depends on the working depth, soil conditions, working speed etc. The condition of the triplex greensmower and the ambient temperature determine the available capacity. Everybody should check the greensmower during work if it isn't overloaded by checking the heat built up and take the correct measurements.

**MAREDO DOES NOT TAKE ANY LIABILITY FOR
GREENSMOWER DAMAGES.**



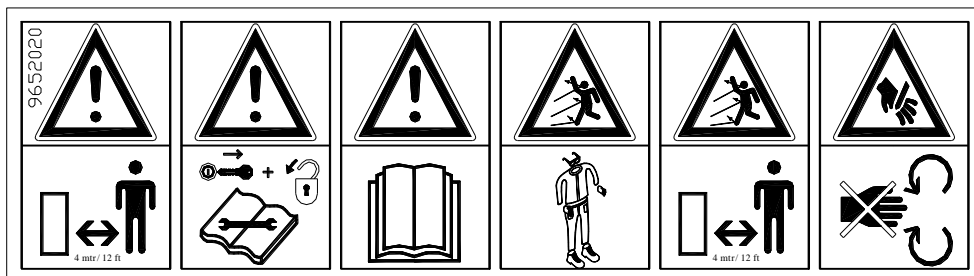
Note:

For a safe operation it is essential, that the operator reads and understands the manual of the Maredo head and the triplex machine.

MAREDO BV, RIJKSSTRAATWEG 16, 3956 CR LEERSUM, THE NETHERLANDS
WWW.MAREDO-BV.COM EN 1918

SAFETY INSTRUCTIONS

1. Never **disconnect or shortcut any of the safety devices**.
2. Every **MAREDO user must be fully informed** and understand the safe use of the MAREDO machine.
3. **Inspect the ground**, where the MAREDO machine is to be applied. Remove loose obstacles, avoid uneven areas.
4. **Drive carefully** during work and during transport.
5. Ensure that **other people are standing at least 4 mtr./ 12 ft away** from the MAREDO machine during work and transportation.
6. **Use appropriate clothing**. Wear strong shoes with steel enforced toe caps, long trousers, gloves, tie up long hair and use protection glasses for the eyes.
7. **Never overload** the MAREDO. This is visible when the head starts to vibrate or behave unstable.
8. **Check the MAREDO minimal once a week**, to ensure there are no loose bolts and nuts. Check for damages too and repair them.
9. The MAREDO **may never be used without protection covers** and safety decals.
10. **Use only original MAREDO spare parts**, in order to ensure the safe operation of the machine.
11. **Never use the MAREDO** in the dark, in heavy rains, on frozen grounds, stony conditions and/ or on slopes steeper than 30 degrees.
12. **Maintain a log book** of the repairs.
13. Be aware that **changes made at the MAREDO**, releases MAREDO from CE regulations. You should homologate the machines yourself



FOREWORD

Congratulations on the purchase of your MAREDO®. To ensure the safe and long-lasting operation of the MAREDO machine, you and anyone using the machine, should read and understand this user's manual.

Also ensure that you understand and practice the safety rules, as described in this manual.

This MAREDO machine is delivered accomplished by a guarantee against material and assembly errors. This guarantee applies for a period of 12 months, as from the date of purchase.

TECHNICAL SPECIFICATIONS.

Model	: GT 300-042
Working width	: 520 mm/ 21" per head
Working depth	: +10 -> -10 mm. (+3/8 -> -3/8")
Driving speed	: 2.5- 3.0 km/h / 1.6- 2.0 mph
Weight	: 55 Kg/ 110 lbs per head.

EU- declaration

We, MAREDO, Rijksstraatweg 16, 3956 CR Leersum, The Netherlands, hereby declare fully on our authority, that the product: MAREDO GT 300, with serial number as indicated on the machine and in this manual, to which this declaration applies, has been manufactured in line with NEN-EN -ISO 14121-1:2007, according to the stipulations of The Machine Directive 2006/42/EG.



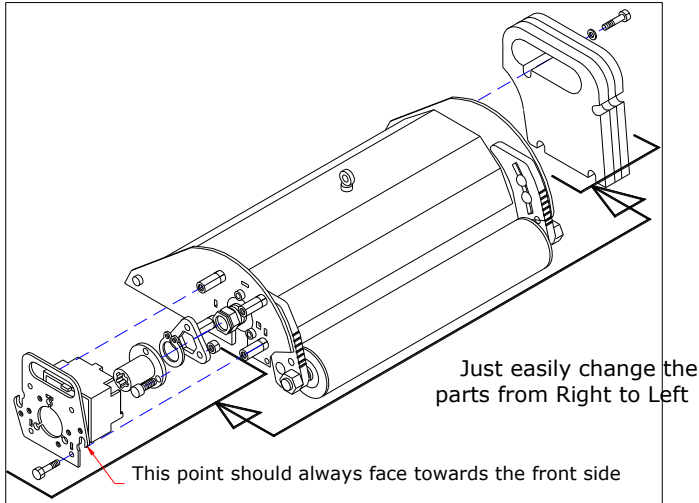
Marinus Reincke Maredo BV The Netherlands

TIPS/ REMARKS.

1. **Clean the unit regularly with air or low pressurized water.** DON'T USE HIGH PRESSURIZED WATER. The water can enter the bearings causing them to seize.
2. **Use the trolleys to move the heads easily to the triplex.** Next connect the head to your triplex. In some cases, you need to raise the head and remove the trolley, before you can mount the hydraulic motor.
3. **Be careful with tightening the hydraulic motor bolts.** Do it evenly and do not over tighten. The ears of the hydraulic motor may crack.
4. Raise the heads and see if they stay in the right position and does not hit anything. If it does, make some adjustments till if fits well.
5. Be sure that the heads do have **enough ground clearance.** Otherwise the shoes can hit the ground during transport, causing them to damage.
6. **Make your first test run outside the green.** Play with the engine throttle and the driving speed. Continue till you are satisfied.
7. Be sure that the **hydraulic motor speed setting of the triplex is set at its maximum.**
8. **Be careful with dropping the units on a hard (concrete) floor.** Put something (trolley or rubber carpet) underneath to protect the shoe plates against damages. Damage to the heads may also occur.
9. Check bolts and nuts regularly. Re-tighten if necessary.
10. The optimum forward driving speed is 2,5- 3.0 kmh. At this speed the shoes push vertically down and enrol themselves along the surface. If you go faster or slower, the shoe plates may slide along the surface (isn't a problem, but it is better to prevent).
11. **START AND STOP PROCEDURE:** Set the engine throttle at appr. 80%. Drop the heads on the green and move forwards. Increase throttle till 100% of max revs. **At the end of the pass** raise the heads fully.
12. You can make curves with the heads during work, BUT DO NOT MAKE TIGHT CURVES. Damages to the units and green may appear.
13. **CHECK THE (HYDRAULIC) DRIVE OF THE GREENSMOWER REGULARLY. DO NOT OVERHEAT THE (HYDRAULIC) DRIVE. MAREDO IS NOT RESPONSIBLE FOR DAMAGES TO THE GREENSMOWER.**

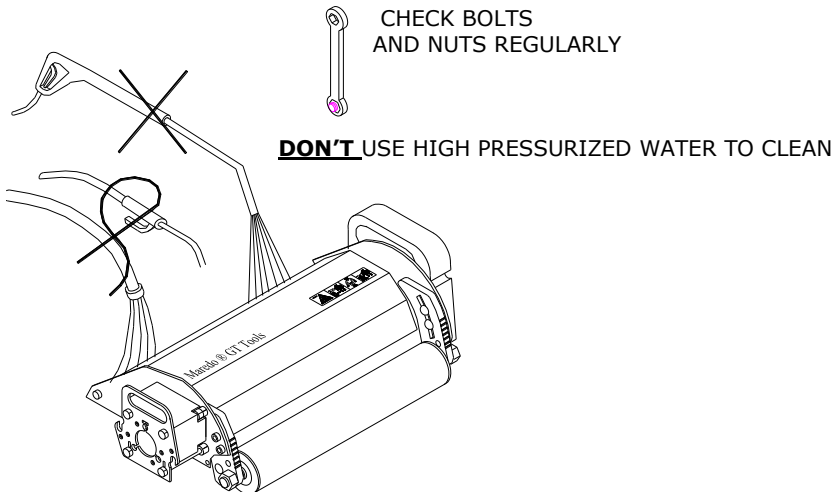
FIRST SETUP:

The heads are standard delivered with the motor connection at the Right-Hand side. We can easily change this to a Left Side drive by removing the clutch parts and mount them to the other side of the machine (swop the side weights at the same time). Make sure you mount them in exact the same position as before (do not mirror them), see picture.



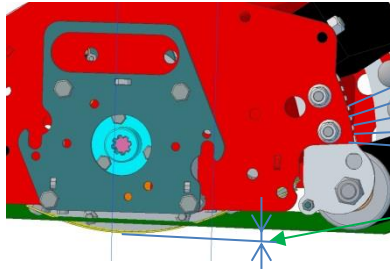
Next, we need a parts kit to mount the head to your triplex greensmower. Maredo has several kits available. Each kit comes with its own mounting instructions and partslist.

MAINTENANCE.



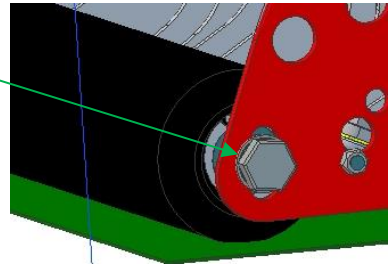
ADJUSTMENTS/ IMPORTANT NOTES.

By changing the front roller position, the distance of the shoe to the mm ground changes. So you can set it for a light or heavy job.



+ 2.9 mm
0,0
- 3.5
- 6,8 mm
- 9.6 mm

The rear roller stays in the centre hole. However, if you want an even heavier job, you can mount the rear roller in the top hole.



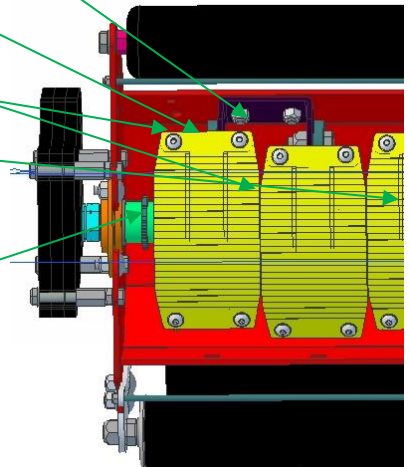
For inspection or easy access, you can turn two complete tine sections around, if you loosen the U bracket from the main frame.

The shoe plates can easily be exchanged when damaged or worn.

The distance between the shoe plates can be changed by loosening the 4 bolts of the shoe plate

If you want to re-adjust the distance, start in the centre and move side wards.

Timing washer; the face with cut-outs should be in line with the section (numbered from 1-6 from left to right or v.v.). The right sequence is: 1, 6, 2, 4, 3, 5



Quant.	Part Number + Name	GT300 REV 042
12	2012081 Bearing 6001 2RS	6002027-02 Washer 30- 12- 1,5 1150
2	2012101 Bearing 6201 2RS	6002035-01 Washer 35 - 25 - 2
2	2015111 Bearing 6202 2RS	6002037-01 Washer 37 - 20 - 2 204 bearing
12	2035142 Bearing 6007 ZZ	6002118-02 U distance plate 6007 1109
2	2420200 Bearing SC 204	6003026-00 Washer d18 D27 s3
2	2420209 PF 204 housing	6003131-02 Main side support plate shoes 300 1109
10	3008160 Washer M8 DIN 125A	6004034-01 Washer 37- 20 - 4
2	3010151 Spring washer M10 6798A	6004041-00 Timing and grip plate Hex 24
4	3010200 Washer M10 DIN 125A	6004107-03 Distance plate motor mount plate 1145
6	3012105 Shimm washer 12-18-1 D988	6004114-00 U support inside for connecting rod
12	3504004 Self lock nut M4 D985	6004164-01 Shoe mount plate 1109
4	3505004 Self lock nut M5 D985	6004356-05 Side plate GT frame
39	3506004 Self made nut M6 985	6004591-05 Central bridge for 7435060
8	3508000 Nut M8 DIN 934	6005050-01 Clutch plate with hex hole
24	3508004 Self lock nut M8 D985	6005124-02 Front roller support 210 1150
4	3508008 Self lock nut with washer D6926	6005155-04 Hydr motor mount plate GT 1145
8	3508040 Nut M8 DIN 6334	6006065-04 Excenter plate Hex 24- 3.50
2	3512000 Nut M12 DIN 934	6008092-01 Connecting rod
2	3512004 Self lock nut M12 D985	6010024-01 Distance bush 24-12-L10
12	3512025 Self lock nut M12 x 1.25 DIN 985	6010176-02 Counter weight GT black
1	3522026 Low height nut M22 x 1.5	6012060-00 Bearing support front roller GT
12	3604161 Bolt M4 x 16 DIN 933	6012120-03 Pick up cam for GT D shackle
24	3606127 Hex button head screw M6x12 with washer ISO 7380ULF	6416613-00 Front roller shaft 6201 GT
3	3606201 Bolt M6x 20 DIN 933	6417025-00 Stud for massive roller
4	3606453 Hex socket screw M6x45 8.8 D912 zinc plated	6424636-01 Main shaft for GT 24 mm M22
4	3608161 Bolt M8 x 16 4017 SELF	6450518-03 Weight square 50 black
10	3608201 Bolt M8 x 20 ISO 4017	6460570-04 Massive roller GT black
10	3608204 Mushroom head bolt M8 x 20 DIN 903	6505597-00 Roller scraper 5 x 597
2	3608303 Hex socket screw M8 x 30 DIN 912	6505605-00 Rear roller scraper
32	3608450 Bolt M8 x 45 DIN 931	6508006 Nut M8 H6 Hex22
2	3608701 Bolt M8 x 70 4017 S	6731815-00 Drive nut M18 Left
2	3610121 Bolt M10 x 12 DIN 933	6731816-00 Drive nut M18 Right
2	3610161 Bolt M10 x 16 DIN 933	6735031-02 Slined drive bush GT
6	3612311 Bolt M12 x 30 x 1.25 DIN 961	7033014-00 Distance bush Hex 24 L14
2	3612511 Bolt M12 x 50 x 1.25 DIN 961	7033034-00 Distance bush Hex 24 L34
2	3906350 Cir clip D=35 DIN 472	7033053-00 Distance bush Hex 24 L53
1	3912600 Cir clip d=26 DIN 471	7060542-02 Front roller GT
12	6001035-02 Shimm washer 35-56-05	9653000-01 Maredo Logo oval decal
6	6001171-01 Shoe plate 1 mm	9653010 CE Decall standard
2	6002025-02 Washer 25 - 15- 2	9653020 Safety decall standard

SOME GENERAL NOTES:

- Nut 3522026 should be tight + Loctite. Re-check tightness regularly.
- The timing sequence of the 6 sections is very important. It should be 1, 6, 2, 4, 3, 5.
- The timing washer 6004034 is a help for the correct assembly of the sections.
- The number of dimples on this washer should be in line with the section 1 to 6.
- The rear roller is mounted in the centre hole. The depth setting is done via the front roller
- Clean with AIR. Be careful with (high pressure) water.
- This water could enter and damage the ball bearings

