

Manual Maredo® GT 250. 04 CountRo-Sweeper

Serial #

IMPORTANT NOTE:

The required (hydraulic) power depends on the working depth, soil conditions, working speed etc. The condition of the triplex greensmower and the ambient temperature determine the available capacity. Everybody should check the greensmower during work if it isn't overloaded by checking the heat built up and take the correct measurements.

MAREDO DOES NOT TAKE ANY LIABILITY FOR GREENSMOWER DAMAGES.

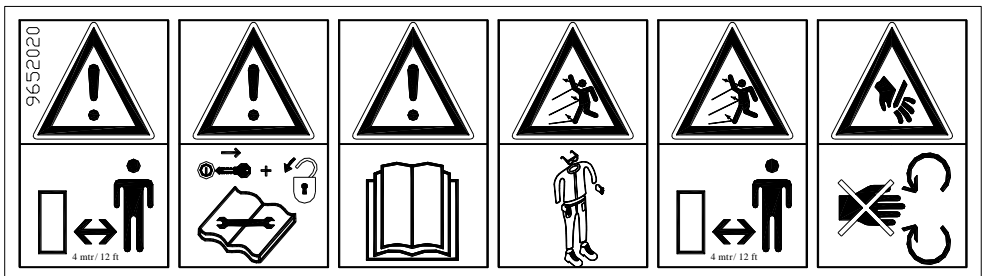


Note:

For a safe operation it is essential, that the operator reads and understands the manual of the Maredo machine.

SAFETY INSTRUCTIONS

1. Never **disconnect or shortcut any of the safety devices.**
2. Every **MAREDO user must be fully informed** and understand the safe use of the MAREDO machine.
3. **Inspect the ground**, where the MAREDO machine is to be applied. Remove loose obstacles, avoid uneven areas.
4. **Drive carefully** during work and during transport.
5. Ensure that **other people are standing at least 4 mtr./ 12 ft away** from the MAREDO machine during work and transportation.
6. **Use appropriate clothing.** Wear strong shoes with steel enforced toe caps, long trousers, gloves, tie up long hair and use protection glasses for the eyes.
7. **Never overload** the MAREDO.
8. **Check the MAREDO minimal once a week**, to ensure there are no loose bolts and nuts. Check for damages too and repair it.
9. The MAREDO **may never be used without protection covers** and safety decals.
10. **Use only original MAREDO spare parts**, in order to ensure the safe operation of the machine.
11. **Never use the MAREDO** in the dark, in heavy rains, on frozen grounds, stony conditions and/ or on slopes steeper than 30 degrees.
12. **Maintain a log book** of repairs
13. Be aware that **changes to the MAREDO**, releases MAREDO from any CE regulations.



FOREWORD

Congratulations on the purchase of your MAREDO®. To ensure the safe and long lasting operation of the MAREDO machine, you and anyone using the machine, should read and understand this user's manual.

Also ensure that you understand and practice the safety rules, as described in this manual.

This MAREDO machine is delivered accomplished by a guarantee against material and assembly errors. This guarantee applies for a period of 12 months, as from the date of purchase.

TECHNICAL SPECIFICATIONS:

Model	: GT 250 REV 04
Working width	: 520 mm/ 22" per head.
Working depth	: +/- 10 mm. +/- 3/8"
Driving speed	: 0.5- 4.0 km/h 0.5 – 3 mph
Weight	: 35 Kg/ 77 lbs (with collecting bag)
Grease in gearbox	: Grease EP 0/1 first time next EP 1/2
Brush hairs size	: Diameter 1 mm
Rotation direction	: Counter rotating.
Collecting bag	: Standard, max load capacity 18 kg/ 40 lbs.

EU- declaration

We, MAREDO, Rijksstraatweg16, 3956CR. Leersum, Holland, hereby declare fully on our authority, that the product:

MAREDO GT 230, with serial number as indicated on the machine and in this manual,

to which this declaration applies, has been manufactured in line with NEN-EN –ISO 14121-1:2007, according to the stipulations of The Machine Directive 2006/42/EG.



Marinus Reincke Maredo BV The Netherlands

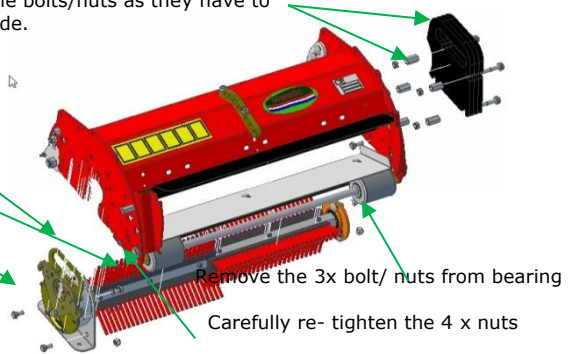
CHANGING DRIVE SIDE

Sometimes the drive side has to be changed from left to right or visa versa. For the GT 180-190 and 250 (the ones with a gearbox), the whole shaft has to be de-mounted, rotated and re-mounted, as you can see in the picture hereunder. Carefully with the assembly. Don't create any stress on the gearbox. Be sure the shaft rotates easily!!

Remove the side weights with all the bolts/nuts as they have to be re-positioned at the opposite side.

Don't open the gearbox !

Remove the 4 nuts at the rear +
The 2 x bolts at the bottom



SOME TIPS/ RECOMMANDATIONS.

1. Do not set the brushes too tight at the ground. Damage to the turf or machines may be the result.
2. Our collecting bags are Heavy Duty, as some people use them for collecting cores or sand.
3. Play with the engine rpm's of your triplex. As our brush is so efficient, sometimes the collected material is thrown over the collecting bag. Reduce the engine rpm's and/ or adjust the top guide plate.
4. Just in front of the brush just above the turf, there is the bottom collecting/ guide plate. This plate helps to guide the swept material into the collecting bag. The plate is adjustable. Normally it should set at appr 5 mm, ¼" from the ground, but if cores are to be collected, you may need more.
5. It is also possible to remove the whole bottom guide plate. This can be advantageously, e.g when it is (very) wet and the material sticks on this guide plate.
6. The top guide plate helps to guide the material into the collecting bag as well. It can be re-positioned, in case the material isn't guided well.

MAINTENANCE.

- A. Clean the head regularly. **Be very careful with high pressure water cleaners**, as they can ruin your bearings, paint and gearbox. It is much better to use regular water and/ or air.
- B. **Grease the gearbox every 50 hours with 2 shots EP2**, the regular grease from your greasun. **DO NOT OVER-GREASE**. Too much grease will overheat the gearbox and the grease may be pushed out and start leaking on your turf. When the gearbox is overhauled, **it should be filled with EP 0/1 grease the first time** (40 grams). This is a much thinner grease.
- C. The brush elements can be easily replaced. Don't take the whole shaft apart.

USER NOTES

The brushes counter rotate, which works very efficiently in collecting all kinds of materials (tree-needles, sand, cores etc). It will also brush up your dense turf, collect/ remove the POA seeds and remove dew from your green. It is the most efficient collecting/ topdress brush for your triplex greensmower.

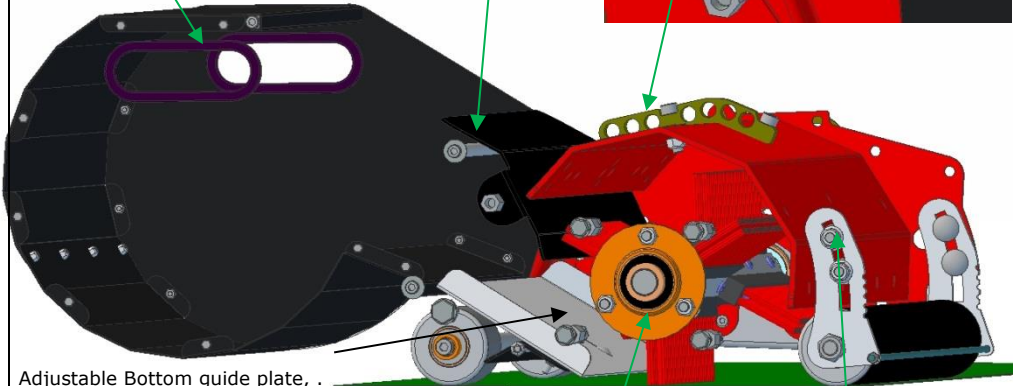
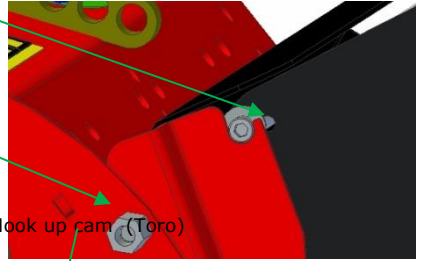
There are two positions for the collecting bag, in case the ground clearance isn't enough or you need more space for the TORO 3100 roller.

This high nut is needed in case a U bracket is mounted for the Jacobsen or John Deere triplex kit.

Adjustable Top guide plate, which guides the material in the bag

Heavy Duty collecting bag

Hook up cam (Toro)



Adjustable Bottom guide plate, adjust/slide it till appr. 5 mm, ¼" above the turf.

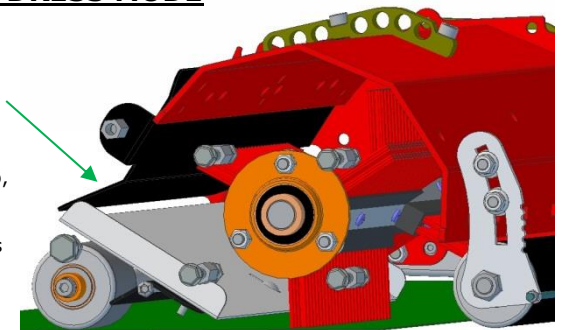
The counter rotating brushes should NOT touch the turf unless you want to brush up your dense turf

Adjust the working depth evenly via the rear roller (2x 2 nuts)

SETTING IT INTO THE TOPDRESS MODE

The GT250 Counter Rotating brush is an ideal machine to brush in your topdress material. The top guide plate should be re-mounted in a mirrored position, like on this picture CAREFULLY SET THE DEPTH, so that no all sand is brushed off.

Part of the topdress sand should be picked up, moved over the bottom guide plate, against the top guide plate back into the turf (holes). As the head moves forward, it is a continuous process, trying to get the sand in the turf.



Part Number + Name	Quant.	00 Grease nipple M6 straight
1848028-00 Brush element L270 d1 H65 250	6	15 Distance bush d12x D20 x L15
2012101 Bearing 6201 2RS	6	15 Key 6 x 6 x 15 DIN 6885 A
2017104-01 Bearing 6003 2RS NR with cut circlip	2	11-00 Interplate Top for collecting bag 250
2020144 Bearing 6204 2RS NR	1	12-00 Bottom interplate collecting bag 250
2420202 Bearing SB 204	1	60-01 Bottom guide plate GT180_250 1150
2420209 PF 204 housing	1	27-02 Washer 30-12-1,5 1150
2611902-01 O Ring 90 x 2 gearbox GT	1	90-03 Side panel collecting bag GT250
2612170 Nilos seal 6003 AV	2	30-03 Interplate gearbox GT 250 1150
2612203 Nilos seal 6204 AV	2	47-04 Collecting bag support LH GT180_250 1150
3006200 Large washer M6 DIN 9021	4	48-04 Collecting bag support RH GT180_250 1150
3008121 Springwasher M8 6798 A	9	78-06 Top guide plate GT180_190_250 black 1150
3008160 Washer M8 DIN 125A	6	81-02 Front roller scraper plate GT180 250 1145
3010200 Washer M10 DIN 125A	2	25-00 Washer 25- 8-4 countersunk
3504004 Self lock nut M4 D985	20	56-05 Side plate GT frame
3505004 Self lock nut M5 D985	11	91-05 Central brdige for 7435060
3506004 Self made nut M6 985	2	07-04 Inner plate gearbox 250 1150
3508000 Nut M8 DIN 934	8	50-01 Roller support GT180_190_250 1150
3508004 Self lock nut M8 D985	7	73-03 End plate with hand grip gearbox 250 1114
3508008 Self lock nut with washer D6926	4	56-03 1114 Hydraulic mount plate 250
3508040 Nut M8 DIN 6334	6	76-02 Counter weight GT black
3510004 Self lock nut M10 D985	2	60-00 Bearing support front roller GT
3512000 Nut M12 DIN 934	2	20-03 Pick up cam for GT D shackle
3512004 Self lock nut M12 D985	2	80 Rubber U seal for bag 250
3604081 Bolt M4 x 8 DIN 933	20	20-01 Rod for collecting bag GT250 1021
3605454 Hex socket screw M5 x 45 DIN 912	6	78-00 Front roller shaft GT 250
3606123 Hex socket screw M6x12 8.8 D912 plated	3	13-00 Front roller shaft 6201 GT
3608121 Bolt M8 x 12 4017 S	3	19-02 Main shaft for GT 250
3608164 Bolt M8 x 16 4017 SELF	1	05-00 Rear roller scraper
3608165 Tapered hex screw M8 x 16 DIN 7991	6	95-00 Threaded rod M6 x 595 GT180-250
3608201 Bolt M8 x 20 ISO 4017	3	06 Distance washer 27-20-6_5 GT 250
3608203 Hex socket screw M8 x 20 DIN 912	1	75-00 Front roller L75 GT 250
3608204 Mushroom head bolt M8 x 20 DIN 903	2	42-02 Front roller GT
3608207 Stud M8 x 20 DIN 938	6	32-03 Gearbox house 25_250 1114
3608303 Hex socket screw M8 x 30 DIN 912	2	91-01 Input gearwheel z20 m15 GT 250
3608450 Bolt M8 x 45 DIN 931	7	52-01 Gearwheel m15 z45 d45 250
3610201 Bolt M10 x 20 DIN 933	4	00-01 Maredo Logo oval decal
3640560 Screw 4,8 x 50 DIN 7981 CH	2	10 CE Decall standard
	4	18 Grease decall
	2	20 Safety decall standard
	18	06-01 GreaseKroon EP0_1 31393 45cc
		10 Silicon liquid gasket paste GT250

SOME NOTES/REMARKS

- Do not tighten the brushes 1848028 too tight with screws 3640550
- Re- grease the gearbox every 50 hours with 2 shots

